



C7 vs 3126B Comparison

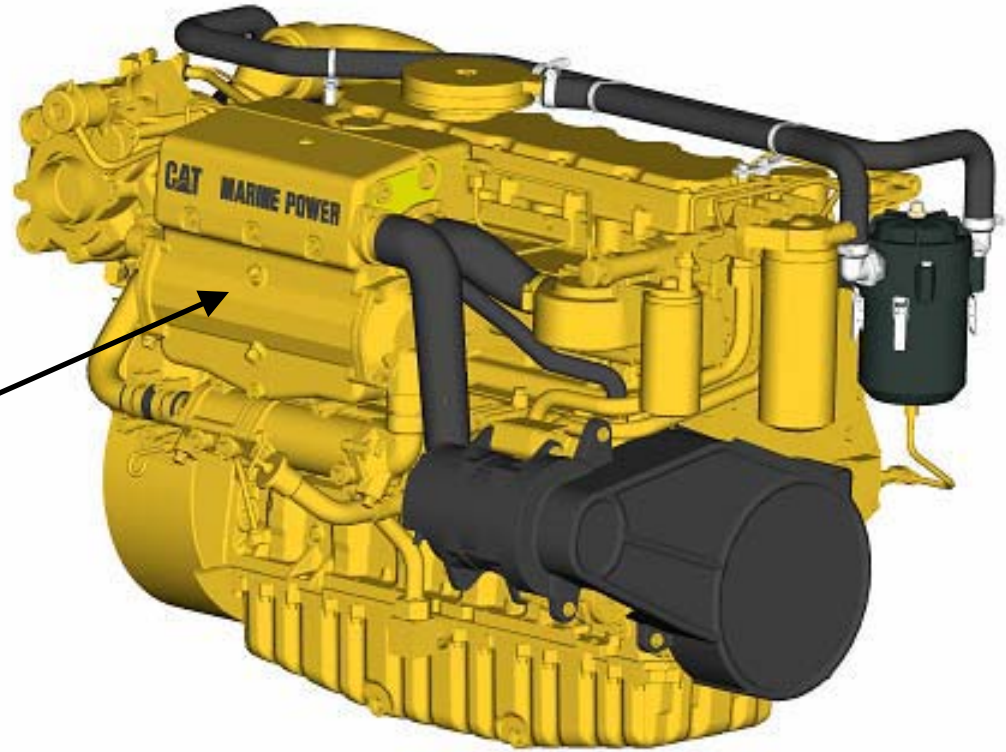
L: Same as 3126B

W: Same as 3126B

H: Same as 3126B

Wgt: 28 lbs. Lighter

Integrated Heat
Exchanger
(common w/ C9)





C7 Specifications

- I-6, 4-Stroke-Cycle-Diesel
- Displacement- 7.2 L (442 cu in)
- Bore- 110 mm (4.3 in)
- Stroke- 127 mm (5.0 in)
- Turbocharged Aftercooled
- Electronic governor
- SAE # 3 Flywheel (126 Teeth) and flywheel housing



C7 Specifications

- Length 1221.8 mm (48.10 in)
- Width 919.8 mm (36.21 in)
- Height 916.9 mm (36.10 in)
- Weight 798.3 kg (1760 lb)



C7 Specifications

- Refill Capacities
 - Cooling System 39 L (10.3 gal)
 - Lube System 25 L (6.6 gal)
- Oil Change Interval
 - 200 hours



C7 Specifications

•Engineering Model	E780 (E780V)	
•Serial Number Prefix	C7X (C7B)	
•Performance Number	DM7586	460 mhp
	DM7587	425 mhp
	DM7588	375 mhp
	DM7589	320 mhp
	DM7590	280 mhp
	DM7591	255 mhp



C7 Specifications

- Core Engine Arrangement
 - Heat Exchanger 247-3818, 247-3819, 247-3827
247-3821, 247-3822, 247-3823
 - Keel 247-3824, 247-3825, 247-3826
- General Dimension Drawing 251-9636, 251-9637, 251-9638